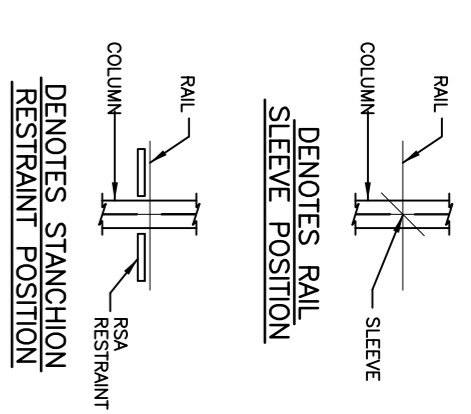
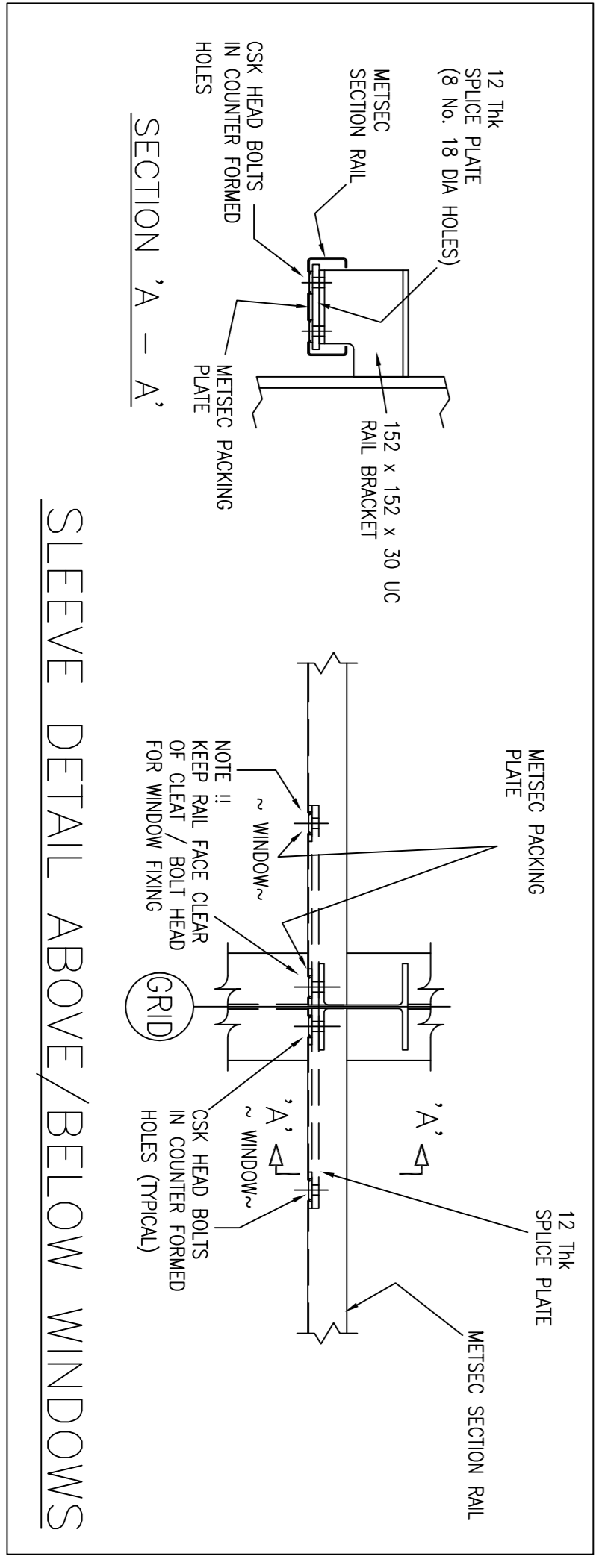


ELEVATION ON GRID LINE 10



STEEL GRADES

ALL HOT ROLLED STEELWORK IS GRADE S275JR UNLESS NOTED OTHERWISE.

NOTES

REV	DESCRIPTION	DATE	CHKD
B	CONSTRUCTION ISSUE WINDOW FINING'S CONFIRMED	04.05.07	
A	PARAPET POSTS ADDED	03.05.07	

DRAWING STATUS: **CONSTRUCTION ISSUE**



DRAWN : D.Holden SCALE : 1:125
 DATE : April 2007 CHKD. IM

TITLE
 UNIT 2
 ELEVATION ON GRID LINES 10

CONTRACT
 ALPHA 2, PLOT 9
 HAMS HALL

CONTRACT No. DRAWING No.
 1607 GA 010

REV : B

THIS DRAWING IS COPYRIGHT. IT IS SENT TO YOU IN CONFERENCE. IT MUST NOT BE COPIED, USED OR DISCLOSED TO THIRD PARTIES WITHOUT OUR PERMISSION. IT REMAINS OUR PROPERTY AND MUST BE RETURNED ON REQUEST.

A1